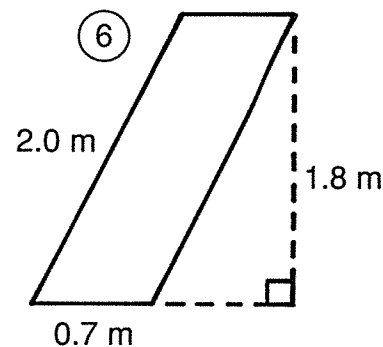
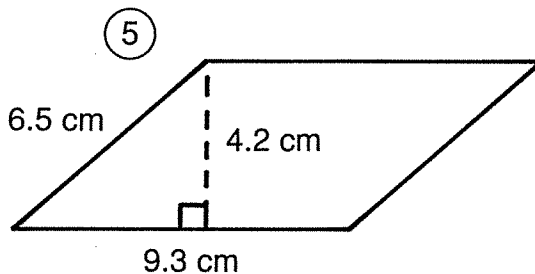
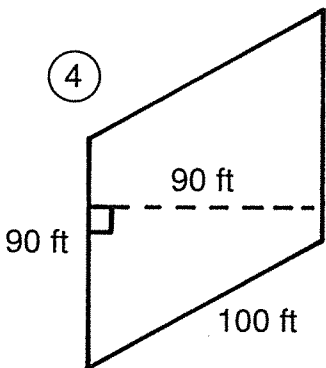
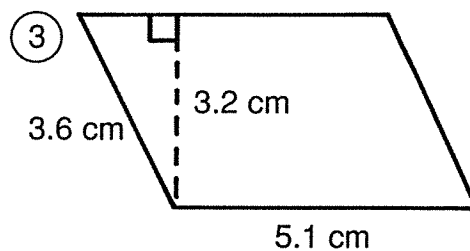
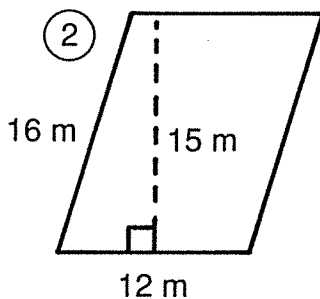
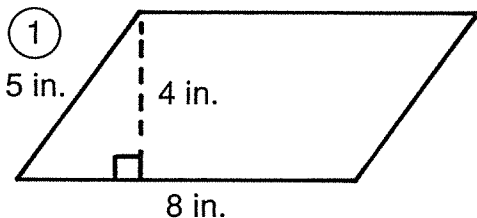


What Happened to Mr. Meter When Mrs. Meter's Mother Flew in for a Visit?

Cross out the box containing each correct answer. When you finish, write the letters from the remaining boxes in the spaces at the bottom of the page.

I. Find the PERIMETER and the AREA of each parallelogram.



II. Solve.

⑦ The base of a parallelogram is 10 in. The height is 2 in. more than half the base. Find the area.

⑧ The height of a parallelogram is 4.5 cm. The base is twice the height. What is the area?

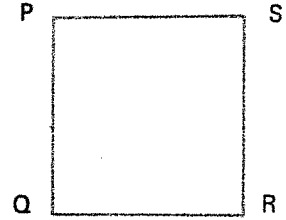
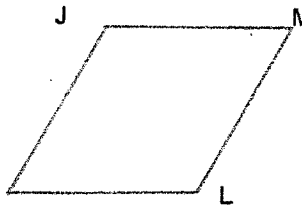
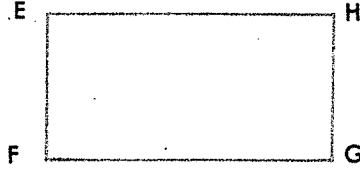
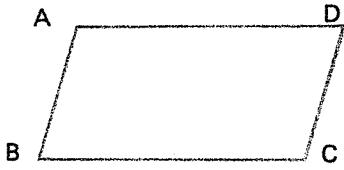
⑨ The area of a parallelogram is 60 ft². The height is 5 ft. How long is the base?

⑩ The area of a parallelogram is 375 cm². The base is 25 cm. Find the height.

| | | | | | | | |
|----------------------|--------------------|-----------------------|---------------------|----------------------|---------------------|-----------------------|-----------------------|
| T | SH | HE | RE | E | WE | WA | IT |
| 31.6 cm | 17.4 cm | 33.8 cm | 15 cm | 32 in. ² | 56 m | 1.38 m ² | 70 in. ² |
| SC | A | NT | EN | DA | RE | AL | T |
| 37.6 cm ² | 180 m ² | 12 ft | 18 m | 380 ft | 1.26 m ² | 16.32 cm ² | 16 ft |
| PR | IM | V | ET | TY | IS | ER | IT |
| 5.4 m | 350 ft | 39.06 cm ² | 84 in. ² | 40.5 cm ² | 26 in. | 6.3 m | 8,100 ft ² |

| | | | | | | | | | | | | | | | | | | | |
|--|--|--|--|--|--|--|--|--|--|--|--|--|--|--|--|--|--|--|--|
| | | | | | | | | | | | | | | | | | | | |
|--|--|--|--|--|--|--|--|--|--|--|--|--|--|--|--|--|--|--|--|

Lesson 8 Types of Quadrilaterals



A **parallelogram** is a quadrilateral (4-sided figure) in which the opposite sides are parallel.

\overline{AB} is parallel to \overline{DC} and \overline{AD} is parallel to \overline{BC} .

Is figure ABCD a parallelogram? _____

A **rectangle** is a quadrilateral in which all angles are right angles.

Compare each of the angles of figure EFGH with a model of a right angle.

Is figure EFGH a rectangle? _____

A **rhombus** is a quadrilateral in which all sides are congruent.

Use a ruler to compare the lengths of the sides of figure JKLM.

Is figure JKLM a rhombus? _____

A **square** is a quadrilateral in which all angles are right angles and all sides are congruent.

Compare the angles of figure PQRS with a model of a right angle and use a ruler to compare the lengths of its sides.

Is figure PQRS a square? _____

Use the figures at the top of the page to answer the questions which follow.

a

1. Which figures are rectangles?

2. Are all squares rectangles?

3. Which figures are rhombuses?

4. Are all squares rhombuses?

b

Which figure is a square?

Are all rectangles squares?

Which figure is a square?

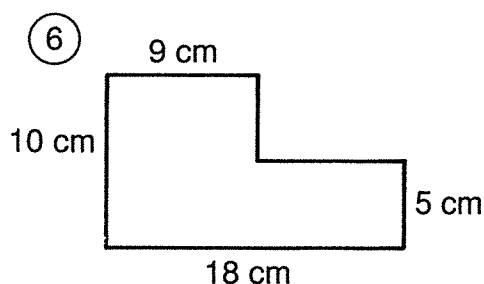
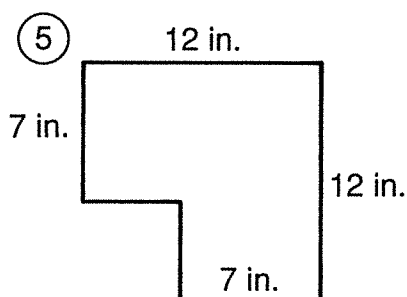
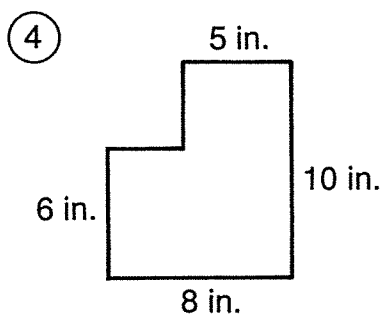
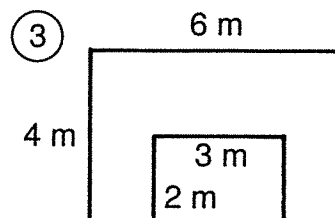
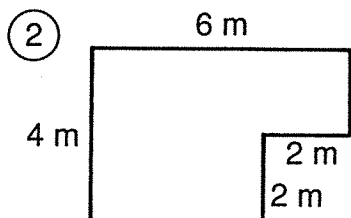
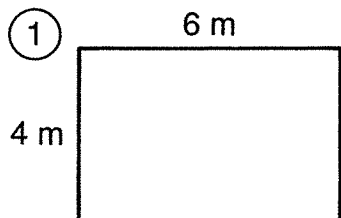
Are all rhombuses squares?

Perfect score: 8 My score: _____

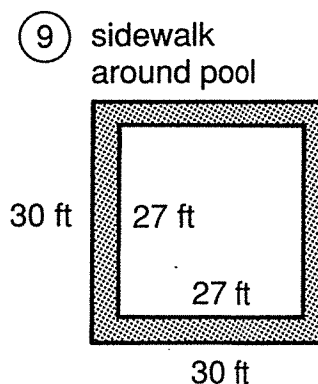
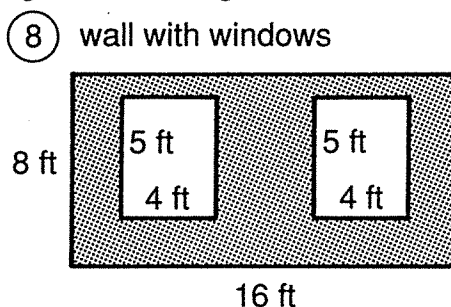
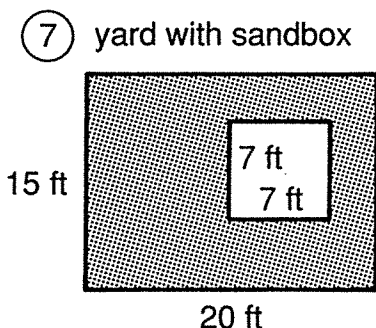
Why Do Elephants Have Ivory Tusks?

Do each exercise and find your answer in the answer columns. Write the letter of the answer in each box containing the number of the exercise.

I. Find the area of each figure.



II. Find the area of the shaded region in each figure.



III. Solve.

⑩ A bedroom is 15 ft long and 12 ft wide. How much will it cost to carpet the room if carpeting costs \$22 per square yard? (1 yd = 3 ft)

⑪ A rose garden in the city park is rectangular and is 9 m wide. If the area of the rectangle is 144 m^2 , what is the length of the garden?

ANSWERS

- (A) 219 ft^2 (T) 68 in.^2 (U) 251 ft^2 (G) 124 cm^2 (C) 21 m^2 (N) \$440
 (L) 20 m^2 (F) \$520 (V) 108 in.^2 (E) 24 m^2 (D) 88 ft^2 (P) 19 m
 (I) 135 cm^2 (S) 171 ft^2 (R) 16 m (B) 165 ft^2 (W) 119 in.^2 (O) 18 m^2

| | | | | | | | | | | | | | | | | |
|---|----|---|----|---|----|---|---|---|---|---|---|---|----|---|---|---|
| 6 | 11 | 3 | 10 | 3 | 10 | 1 | 9 | 5 | 3 | 7 | 2 | 8 | 11 | 7 | 9 | 4 |
|---|----|---|----|---|----|---|---|---|---|---|---|---|----|---|---|---|