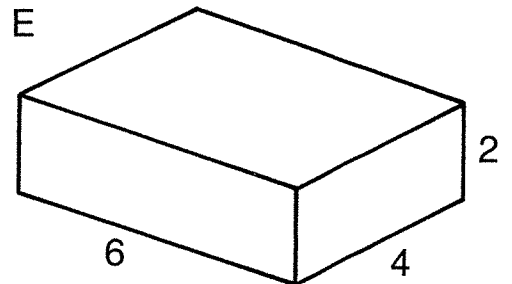
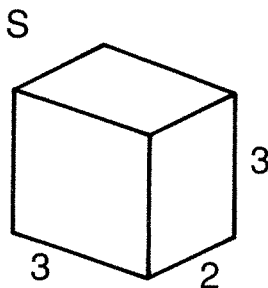
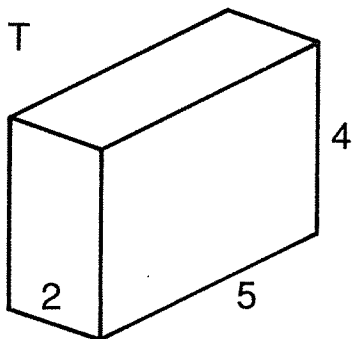
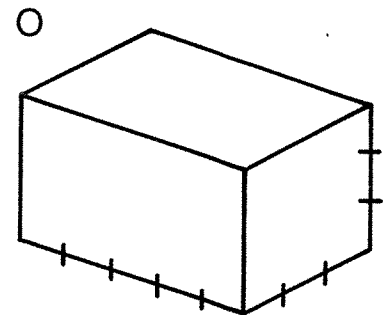
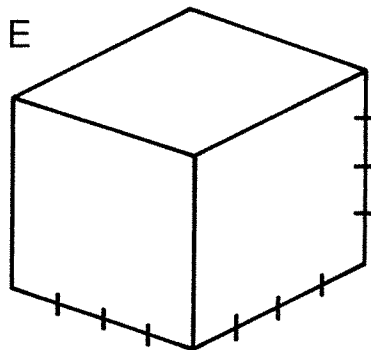
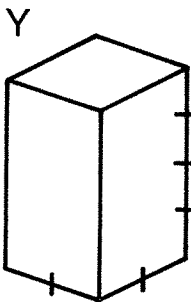
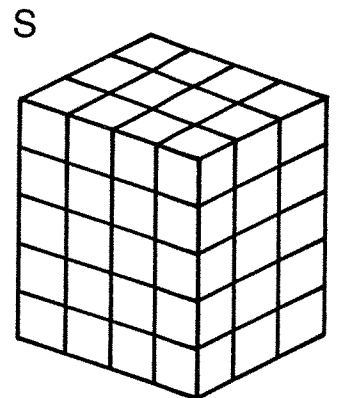
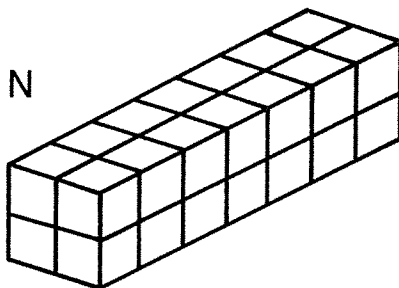
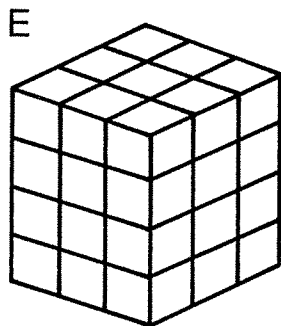
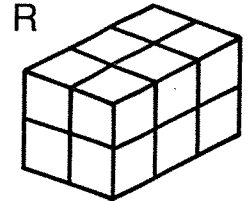
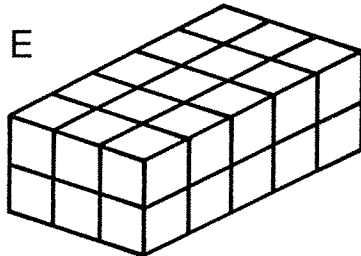
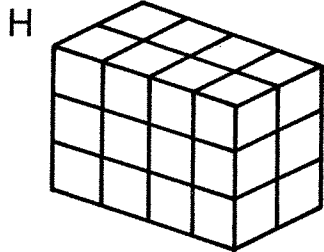


Mystery: What happened when a 6-year old, a 5-year old, a 4-year old, a 3-year old, and a 2-year old joined to form a basketball team?

Find the volume of each prism in cubic units. Write the letter of the exercise in the box containing the answer.



(L) $l = 3; w = 7; h = 2$

(W) $l = 4; w = 3; h = 6$

(E) $l = 5; w = 5; h = 3$

40	24	36	16	32	72	64	12	48	80	45	28	75	42	30	60	18
----	----	----	----	----	----	----	----	----	----	----	----	----	----	----	----	----

Name _____

Evaluating Expressions #2

Evaluate the following expressions, using $x = -2$, $y = 3$, $z = -4$

1. $x - y$

2. x^2y

3. yz

4. x^3

Evaluate the following expressions, using $a = -1$, $b = 7$, $c = 0$

5. ab

6. abc

7. a^2b

8. $b - a$

Evaluate the following expressions, using $x = -3$, $y = -2$

9. x^2y^2

10. $y - x$

11. $(xy)^2$

12. $5 - y$

Evaluate the following expressions, using $c = 5$, $d = -4$, $e = -2$

13. e^3

14. c^2d

15. $cd - e$

16. d^2e^2

Evaluate the following expressions, using $x = -7$, $y = 2$, $z = -3$

17. $2x - z$

18. $3z + y^2$

19. $(5 + z)^2y$

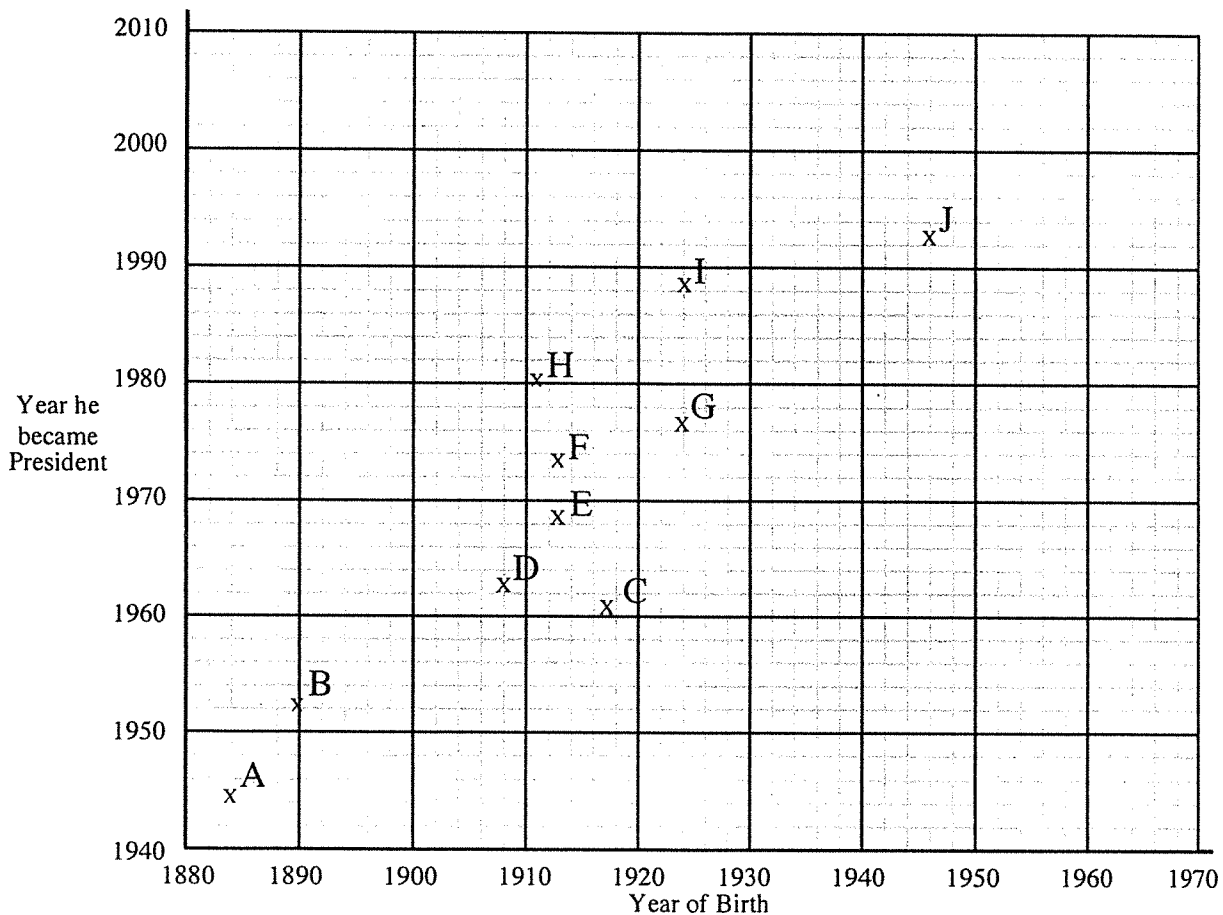
20. $(x - z)y$

Presidents

This problem gives you the chance to:

- plot points on a graph
 - read information from a graph
-

This graph shows the year in which some Presidents of the USA were born and the year in which they became President.



A = Truman C = Kennedy E = Nixon G = Carter I = G Bush
B = Eisenhower D = Johnson F = Ford H = Reagan J = Clinton

1. K = President G W Bush who was born in 1946 and became President for the first time in 2001.

L = President Obama who was born in 1961 and became President in 2008.

Plot and label points on the graph for Presidents G W Bush and Obama.

2. Two Presidents were born in 1913. Who were they?

President _____

President _____

3. President Reagan was the oldest of these Presidents to take office.
How old was he when he became President?
Show how you figured it out.

4. How old was President Truman when he became President?
Show how you figured it out.

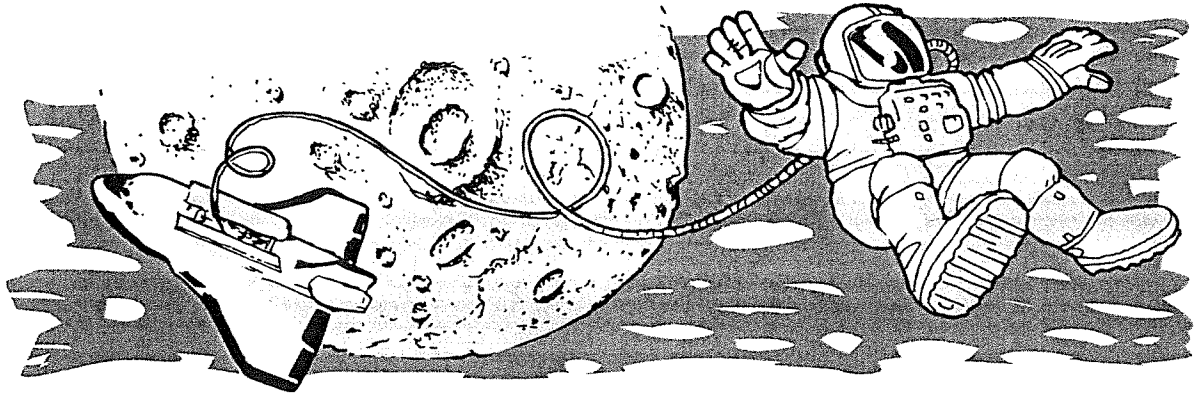
5. Which President was the youngest when he came to office?
Explain how you figured it out.

LESSON
7-2

Challenge

Outer Space Outlier

You have been chosen to train as an astronaut! The statisticians at NASA are not happy, because you are a major outlier for their data. Use the information below to find how you will affect their astronaut data.



Youngest Astronauts

<p>In 1970, Russian astronaut Gherman S. Titov became the youngest person to travel into space. He was 25 years old at liftoff. The ages of some of the other youngest astronauts of all time were 26, 29, 28, 27, 26, and 28.</p>	
Data Without Your Age:	Data With Your Age:
Mean age:	Mean age:
Median age:	Median age:
Mode age:	Mode age:

Oldest Astronauts

<p>In 1998, American astronaut John H. Glenn became the oldest person to travel into space. He was 77 years old at liftoff. The ages of some of the other oldest astronauts of all time were 54, 59, 61, 56, 58, and 55.</p>	
Data Without Your Age:	Data With Your Age:
Mean age:	Mean age:
Median age:	Median age:
Mode age:	Mode age: